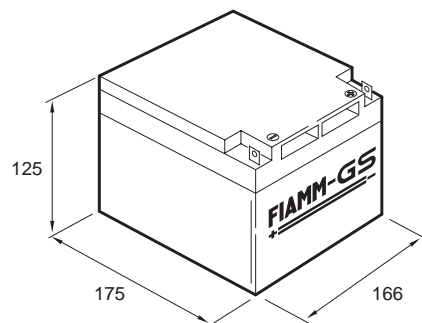


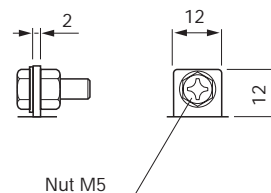
## Performance Specification for battery type FG 22703

## Battery dimensions (mm)

Nominal Voltage	12 Volts
Nominal Capacity	
at 20 hour rate (1,35 A to 10,5 Volts)	27 Ah
at 10 hour rate (2,44 A to 10,5 Volts)	24,4 Ah
at 5 hour rate (4,42 A to 10,2 Volts)	22,1 Ah
at 1 hour rate (15,7 A to 9,0 Volts)	15,7 Ah
Dimension (mm)	Length=166, Width=175, Height=125
Approximate weight	9,0 kg
Energy Density	89,2 Wh/l
Specific Energy	36 Wh/kg
Internal Resistance (Fully charged battery)	7 mΩ
Maximum discharge current in 1 minute discharge	162 A
Maximum discharge current in 5 seconds discharge	405 A
Recommended charging tension (temperature=20°C)	
floating use: 13,5-13,8 V	cyclic use: 14,4-15,0 V
Thermal compensation factor	
floating use: -18mV/°C	cyclic use: -30mV/°C
Maximum charging current	6,75 A
Terminals	Bolt and Nut M5
Vibration Test (2000 cycles/minute, 2,55 mm excursion, 2 hours)	No loss in capacity or performance
Shelf life - % of nominal capacity at 20°C	
1 month	97%
3 months	91%
6 months	83%
Storage temperature	-20°C to 40°C
Operative temperature Range	
Charge	0°C to 40°C
Discharge	-20°C to 50°C
Case material	Acrylonitrile-Butadiene-Styrene
	Standard Case: According to UL-94 HB
	Also Available: According to UL-94V0
Life expectancy (Stand-by)	3 to 5 years according to Eurobat standards



## Terminal type



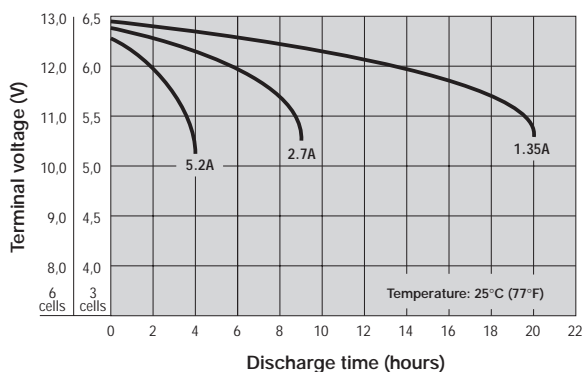
## Constant Power Discharge Table (Watt)

Time	5'	10'	15'	20'	30'	45'	1h	2h	3h	5h	10h	20h
1,8V/Cell	660,4	514,8	423,9	362,3	283,2	215,7	175,3	102,2	73,0	47,0	25,4	13,7
1,75V/Cell	706,6	539,0	439,4	373,2	289,7	219,4	177,8	103,3	73,8	47,6	25,9	14,1
1,7V/Cell	756,1	564,4	455,5	384,5	296,3	223,2	180,4	104,5	74,6	48,2	26,4	14,5
1,65V/Cell	781,7	577,2	463,2	389,6	298,9	224,3	180,9	104,3	74,4	48,1	26,4	14,6
1,6V/Cell	808,2	590,3	471,1	394,8	301,5	225,4	181,3	104,1	74,2	47,9	26,3	14,6

## Constant Current Discharge Table (Ampere)

Time	5'	10'	15'	20'	30'	45'	1h	2h	3h	5h	10h	20h
1,8V/Cell	78	48	39	33	24	19,3	15,6	9,8	6,9	4,5	2,46	1,41
1,75V/Cell	86	53	42	34	25	20,2	16,3	10,2	7,1	4,6	2,54	1,42
1,7V/Cell	95	59	44	36	27	21,1	16,9	10,5	7,3	4,7	2,62	1,42
1,65V/Cell	96	59	45	37	27	21,3	17,1	10,6	7,4	4,8	2,65	1,43
1,6V/Cell	97	60	45	37	27	21,5	17,2	10,7	7,4	4,8	2,67	1,43

## Discharge time vs. discharge current



## Discharge time vs. discharge current

